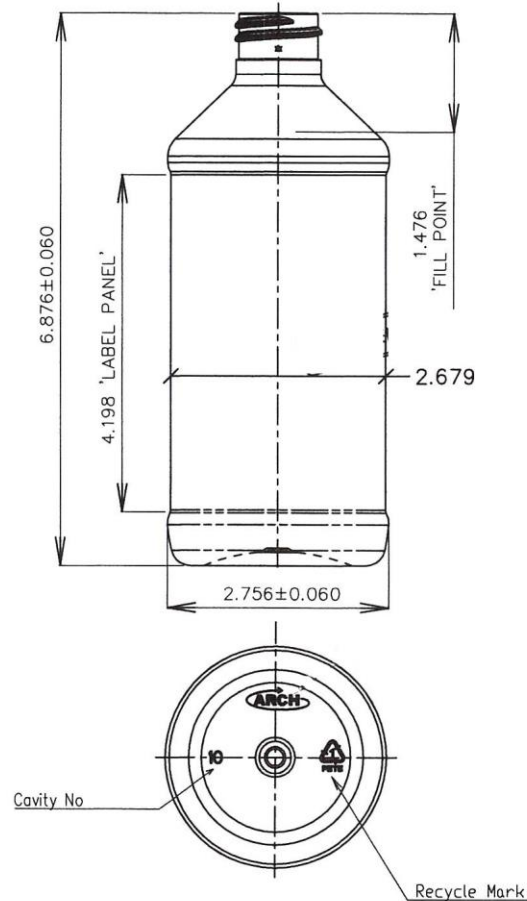


**Date Created: 8/20/20**

## Bottle Data Sheet

### 16oz PET Modern Round 28-410



**ARCH # 16PE17**  
**MOLD # N9638601 (3 Cavities, #9 to #11)**  
**HOUSE RESIN MATERIAL: DAK Laser+C(E60A)**  
**OVERFLOW CAPACITY: 507.0 ± 11.0 ml**  
**HEIGHT: 6.876 ± 0.060 Inch**  
**WEIGHT: 36.0 ± 1.0 g**  
**DIAMETER: 2.756 ± 0.060 Inch**  
**NECK FINISH: M28SP410**

**BOTTLE PER BOX: 130**  
**BOTTLE PER PALLET: 2,600**  
**BOTTLE PER 53' TRUCK: 72,800**  
**PALLET WEIGHT: 305 lbs**  
**STOCK COLORS: Amber, White, Clear**