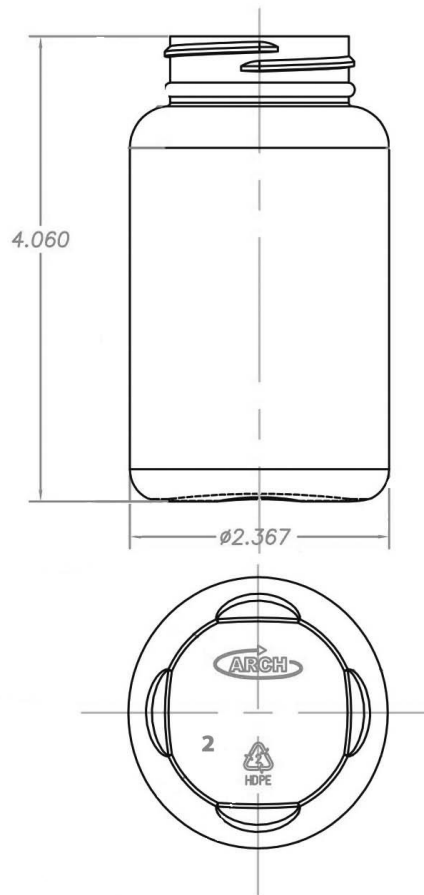


Date Created: 3/14/17

200cc HDPE Round

Bottle Data Sheet



ARCH # 002202-0102

MOLD # A11594, B11932 (Total 8 cavities)

200cc 2X6 (Total 12 cavities)

HOUSE RESIN MATERIAL: Equistar LR7340-45

OVERFLOW CAPACITY: 238 ± 7ml

HEIGHT: 4.060 ± 0.050Inch

WEIGHT: 21.8 ± 1.5g

DIAMETER: 2.367 ± 0.060Inch

NECK FINISH: M45SP400 Special

BOTTLE PER BOX: 300 (Tumble Pack)

BOTTLE PER PALLET: 6,000

BOTTLE PER 53' TRUCK: 168,000

PALLET WEIGHT: 372 lbs

STOCK COLORS: White