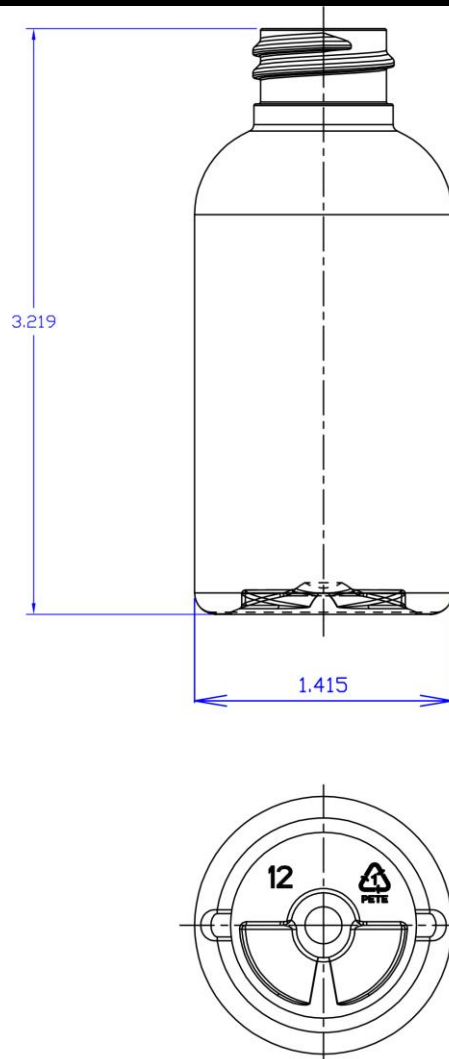


Date Created: 2/14/17

Bottle Data Sheet

2oz PET Boston Round Clear



ARCH # 025114-0300 / 025114-1100
MOLD # N95091 (5 Cavity), K63161 (12 Cavity)
HOUSE RESIN MATERIAL: DAK+C(E60A),
Nanya AA20
OVERFLOW CAPACITY: 61.6 ± 3ml
HEIGHT: 3.219 ± 0.039 Inch
WEIGHT: 9.25 ± 0.8g
DIAMETER: 1.415 ± 0.039 Inch
NECK FINISH: M20SP410

BOTTLE PER BOX: 1,200 (Tumble Pack)
BOTTLE PER PALLET: 24,000
BOTTLE PER 53' TRUCK: 648,000
PALLET WEIGHT: 602 lbs
STOCK COLORS: Clear,Amber,White