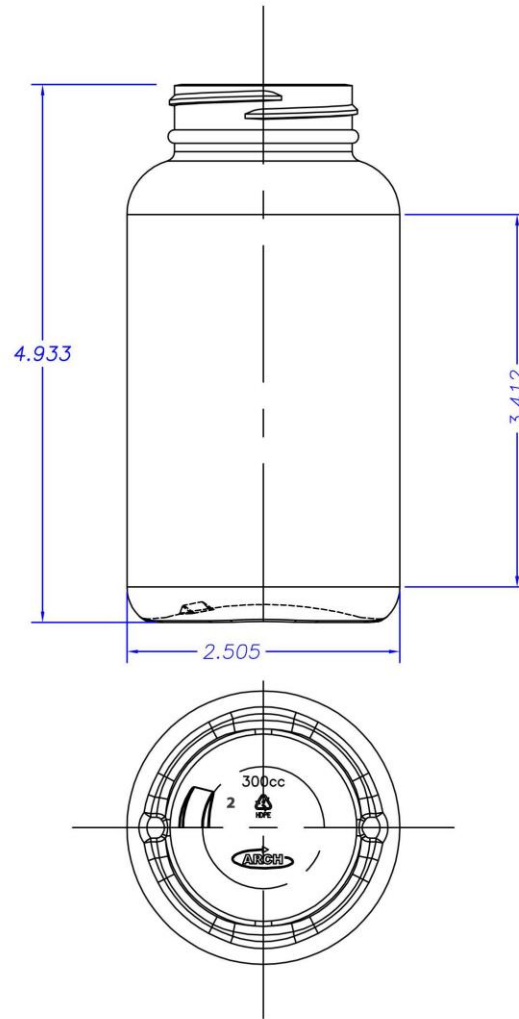


Date Created: 3/14/17

**Bottle Data Sheet**

**300cc HDPE Round**



**ARCH # 003202-0102**

**MOLD # 14119-N (Total 8 cavities)**

**HOUSE RESIN MATERIAL: Equistar LR7340-45**

**OVERFLOW CAPACITY:  $322.59 \pm 9.0$  ml**

**HEIGHT:  $4.933 \pm 0.030$  Inch**

**WEIGHT:  $27 \pm 2$ g**

**DIAMETER:  $2.505 \pm 0.060$  Inch**

**NECK FINISH: M45SP400**

**BOTTLE PER BOX: 267 (Layer Pack)**

**BOTTLE PER PALLET: 5,340**

**BOTTLE PER 53' TRUCK: 144,180**

**PALLET WEIGHT: 423 lbs**

**STOCK COLORS: White**