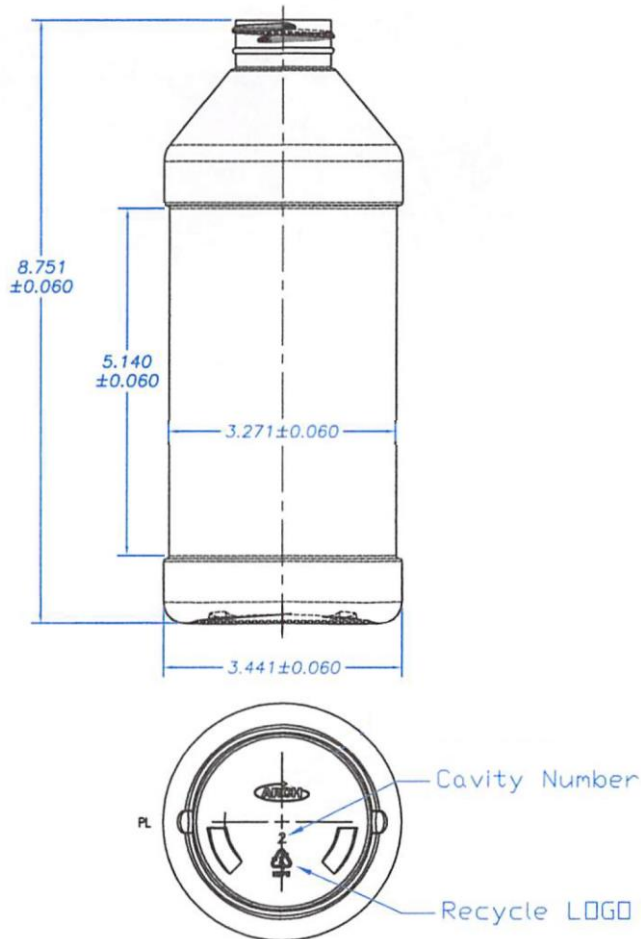


Date Created: 8/20/20

32oz HDPE MR

**Bottle Data Sheet**



**ARCH # 32HD12**

**MOLD # K380A0 (8 Cavities, #1 to #8)**

**HOUSE RESIN MATERIAL: Bapolene 2035**

**OVERFLOW CAPACITY: 1003.0 ± 15.0 ml**

**HEIGHT: 8.751 ± 0.060 Inch**

**WEIGHT: 64.0 ± 3.0 g**

**DIAMETER: 3.441 ± 0.060 Inch**

**NECK FINISH: M38SP400**

**BOTTLE PER BOX: 97**

**BOTTLE PER PALLET: 1,552**

**BOTTLE PER 53' TRUCK: 46,560**

**PALLET WEIGHT: 308 lbs**

**STOCK COLORS: Natural**