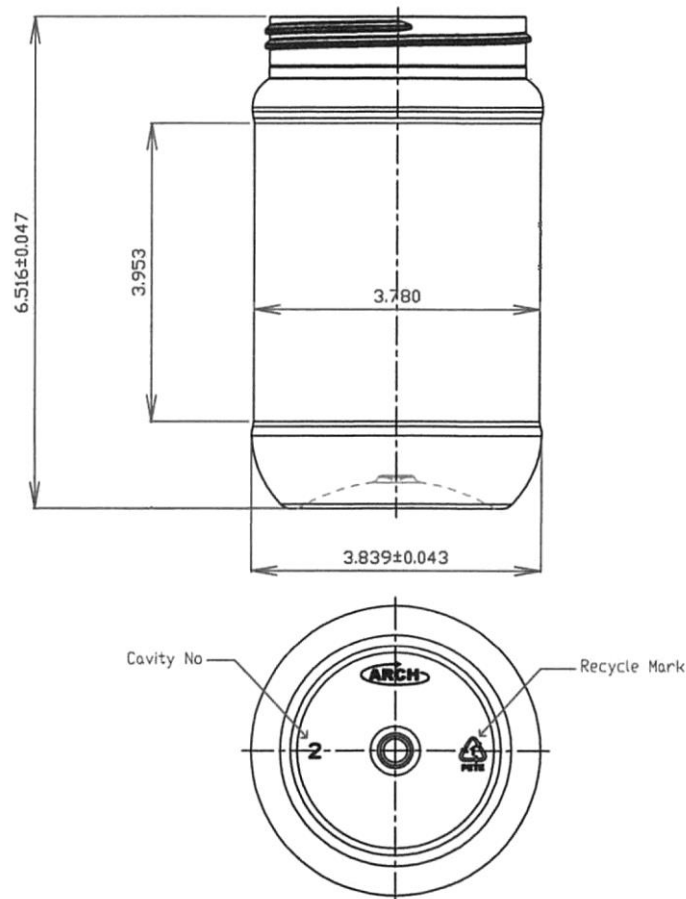


Date Created: 7/23/19

40oz PET Clear Jar

Bottle Data Sheet



ARCH # 031119-0300

MOLD # K64088 (4 Cavities)

HOUSE RESIN MATERIAL: DAK Laser+C(E60A)

OVERFLOW CAPACITY: 1087.0 ± 11.0 ml

HEIGHT: 6.516 ± 0.047 Inch

WEIGHT: 58.5 ± 2.0 g

DIAMETER: 3.893 ± 0.043 Inch

NECK FINISH: M89 Special

BOTTLES PER Tray/Carton: 182

BOTTLES PER PALLET: 2,548

BOTTLES PER 53' TRUCK: 56,056

PALLET WEIGHT: 399 lbs

STOCK COLORS: Clear