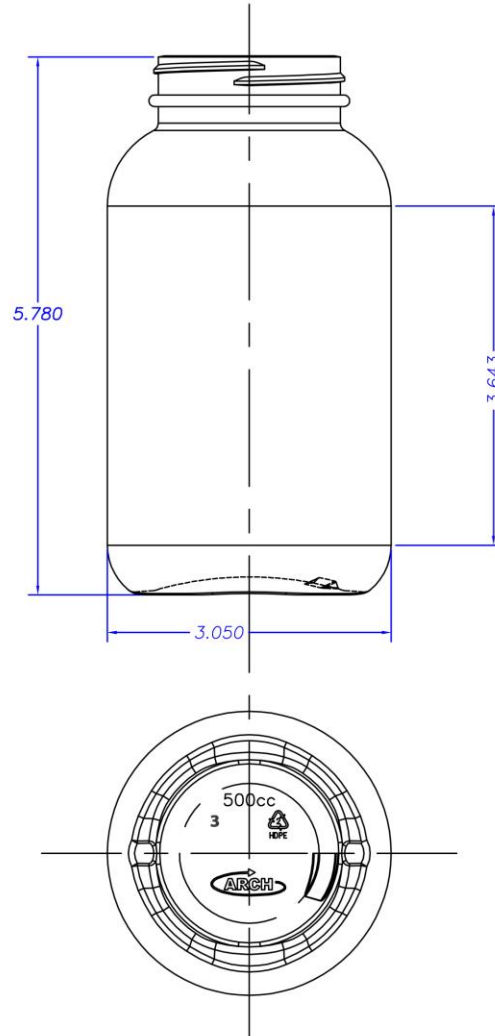


Date Created: 3/14/17

Bottle Data Sheet

500cc HDPE Round



ARCH # 004211-0102
MOLD # 14118-N (Total 8 cavities)
HOUSE RESIN MATERIAL: Equistar LR7340-45
OVERFLOW CAPACITY: 570ml
HEIGHT: 5.780 ± 0.050 Inch
WEIGHT: 36.7 ± 2.5g
DIAMETER: 3.050 ± 0.060 Inch
NECK FINISH: M53SP400

BOTTLE PER BOX: 160 (Layer Pack)
BOTTLE PER PALLET: 3,200
BOTTLE PER 53' TRUCK: 86,400
PALLET WEIGHT: 365 lbs
STOCK COLORS: White