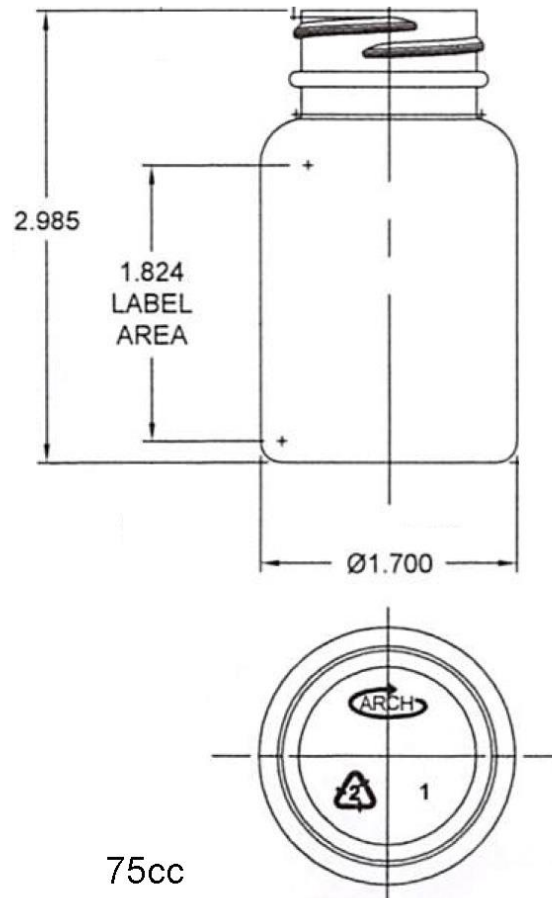


Date Created: 8/18/20

75cc HDPE Round

Bottle Data Sheet



ARCH # 035210-0202

MOLD # MB-1821

HOUSE RESIN MATERIAL: Marlex HHM5502BN

OVERFLOW CAPACITY: 83.5 ± 3.5ml

HEIGHT: 2.985 ± 0.047 Inch

WEIGHT: 10.0 ± 1.0g

DIAMETER: 1.700 ± 0.031 Inch

NECK FINISH: M33SP400

BOTTLE PER BOX: 850

BOTTLE PER PALLET: 17,000

BOTTLE PER 53' TRUCK: 476,000

PALLET WEIGHT: 483 lbs.

STOCK COLORS: White, Amber